

Model 24MCA-II

The addition of the 12 meter circuit to your model HF3B is easily accomplished by:

1. Install rod clamp (MM) on the left side of the element, 3 1/4 inches from the tube A insulator (B). Secure with a #8 x 3/4" screw, lock washer and hex nut.

2. Install rod clamp (NN) on tube (A) about 18 inches to the left of rod clamp (MM) and secure with a #8 x 1" screw, lock washer and hex nut.

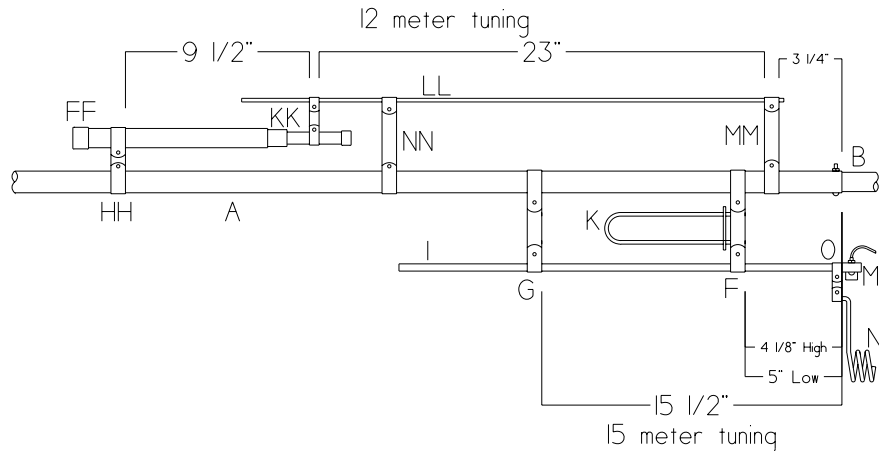
3. Position rod (LL) in rod clamp (MM) and rod clamp (NN) as shown, securing with a #8 x 3/4" screws, lock washers and hex nuts.

4. Center capacitor clamp (KK) on the small tube of capacitor (FF) and secure with a #8 x 3/4" screw lock washer and hex nut.

5. Install capacitor clamp (HH) on capacitor (FF). Position capacitor clamp (HH) 9 1/2 inches from capacitor clamp (KK) as shown and secure with a #8 x 3/4" screw, lock washer and hex nut.

6. Attach the above assembly to rod (LL). Position capacitor clamp (KK) 23 inches from rod clamp (MM) and secure it with a #8 x 3/4" screw, lock washer and hex nut.

7. Secure capacitor clamp (HH) from the above assembly to tube (A) with a #8 x 1" screw, lock washer and hex nut.



Check SWR on 12 meters. Adjust for lowest SWR at 24.900 MHz by sliding capacitor clamp (KK) along rod (LL) and capacitor (FF) to find the right amount of inductance and to raise or lower 12 meter resonance. If more travel along rod (LL) is required, loosen the end of capacitor clamp (HH) and slide capacitor (FF) and capacitor clamp (KK) as needed towards the element center to raise the lowest SWR frequency, or away from the center to lower it.

The direction of maximum signal on 10, 15 and 20 meters is off the driven element with the second element acting as a reflector. On 12 meters however, the second element is self-resonant above the driven element and acts as a director. Therefore, maximum signal on 12 meters is off the back of the antenna.

PARTS LIST

Code	Part No	Description	Qty
FF	V00064	Capacitor FF 12/17 M Driven Element	1
HH	V00044	Capacitor Clamp	1
KK	V00022	Capacitor Clamp	1
LL	V00060	Rod 12M	1
MM	V00017	Rod Clamp	1
NN	V00045	Rod Clamp	1
	V00077	# 8 x 3/4" Screw	6
	V00078	# 8 x 1" Screw	2
	V00080	# 8 Lock Washer	8
	V00081	# 8 Hex Nut	8